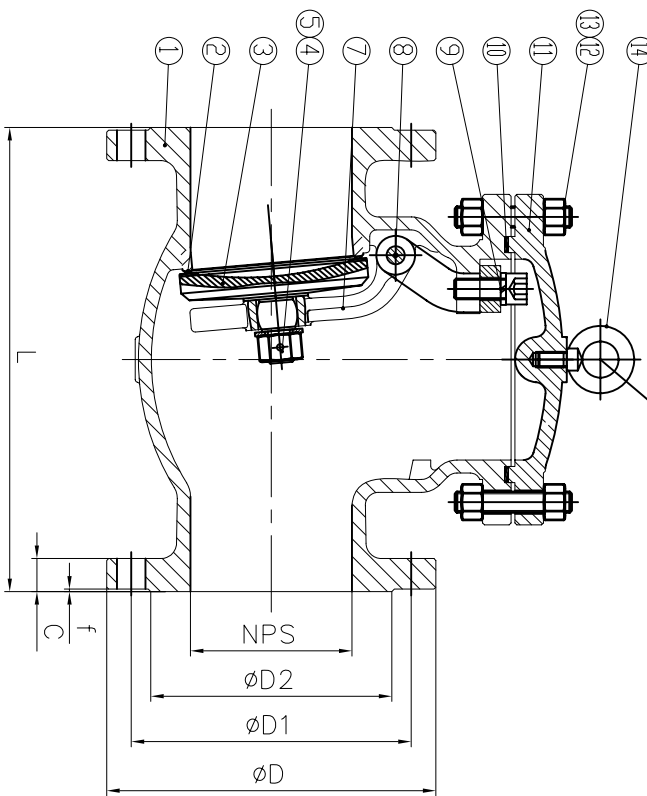
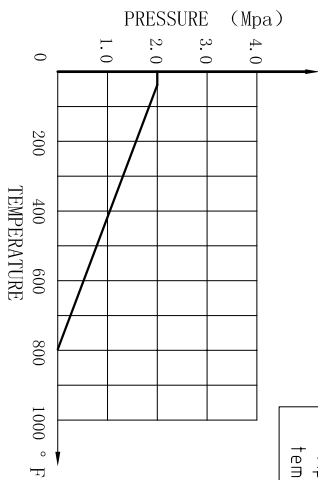


Eye Screw (NPS ≥ 4")



NPS	L	D	D1	D2	C	f	n-Øb	Weight (lb)
1 1/2"	6.496	5.000	3.882	2.874	0.689	0.063	4-Ø0.630	16.535
2"	7.992	5.984	4.744	3.622	0.748	0.063	4-Ø0.748	28.660
2 1/2"	8.504	7.008	5.492	4.114	0.886	0.063	4-Ø0.748	46.297
3"	9.488	7.480	6.004	5.000	0.945	0.063	4-Ø0.748	54.013
4"	11.496	9.016	7.500	6.181	0.945	0.063	8-Ø0.748	85.319
5"	12.992	10.000	8.504	7.303	1.024	0.063	8-Ø0.866	132.277
6"	14.016	10.984	9.508	8.504	1.024	0.063	8-Ø0.866	156.528
8"	19.488	13.504	11.752	10.630	1.142	0.063	8-Ø0.866	252.429
10"	24.488	15.984	14.252	12.756	1.220	0.063	12-Ø0.984	529.109
12"	27.480	19.016	17.008	15.000	1.260	0.063	12-Ø0.984	705.479
14"	30.984	20.984	18.740	16.260	1.378	0.063	12-Ø1.142	-
16"	34.016	23.504	21.260	18.504	1.457	0.063	16-Ø1.142	-
18"	38.504	25.000	22.756	20.984	1.575	0.063	16-Ø1.260	-
20"	38.504	27.480	25.000	22.992	1.693	0.063	20-Ø1.260	-
24"	50.984	32.008	29.488	27.244	1.890	0.063	20-Ø1.378	-



- NOTE:
1. Design and Manufacture for valve according to ASME B16.34-2009.
 2. Face-to-face dimensions for valve according to ASME B16.10-2009.
 3. End flange dimensions for valve according to ASME B16.5-2009.
 4. Inspection and Test for valve according to API 598-2009.

Nominal pressure		150LB	
Test pressure	Shell test 3.0	test medium	water
Test pressure	seal test 2.2	test medium	water
Test pressure	Gas seal 0.6	test medium	air
Applicable medium	water, oil, gas		
Applicable temperature	-20~797°F		

14	EYE SCREW	1	CS
13	NUT	-	A194 2H
12	STUD	-	A193 B7
11	BONNET	1	A216 WCB
10	GASKET	1	SS304+Graphite
9	BOLT	1	A193 B7
8	HINGE PIN	1	SS304
7	HINGE	1	A216 WCB
6	GASKET	1	SS304
5	NUT	1	A194 2H
4	PIN	1	SS304
3	DISC	1	A216+13Cr
2	SEAT RING	1	A216+STL
1	BODY	1	A216 WCB
NO.	DESCRIPTION	QTY	MATERIAL
MARK BEFORE MODIFIED		AFTER MODIFIED	
DRAW.	DATE	APP.	DATE
CHK.	DATE		
		SCALE	
		ANIX VALVE CO., LTD	
		Flanged Swing Check Valve	
		150LB, WCB	
		CV44H5F/150	